



**ALUFLEX**

# ALUFENCE

## INSTALLATION GUIDE

---



# ALUFLEX

# INSTALLATION GUIDE

## CONTENTS

|           |                                    |       |    |
|-----------|------------------------------------|-------|----|
| SECTION 1 | Information about ALUFENCE         | _____ | 2  |
| SECTION 2 | ALUFENCE Materials and Accessories | _____ | 3  |
| SECTION 3 | Componets of ALUFENCE              | _____ | 5  |
| SECTION 4 | ALUFENCE frame Layout              | _____ | 6  |
| SECTION 5 | ALUFENCE Installation Inspection   | _____ | 7  |
| SECTION 6 | ALUFENCE Installation Guide        | _____ | 8  |
| SECTION 7 | ALUFENCE FAQs                      | _____ | 13 |



# ALUFLEX

# INSTALLATION MANUAL 1

General information about ALUFLEX Alufence products.

Plan the fence layout for the most suitable Alufence installation.

---

## 1. General information.

### 1.1 Application scope.

- 1.1.1 This manual offers extra details about the ALUFLEX Alufence system, including content, installation, and FAQs. For further installation inquiries, contact ALUFLEX or check their website for updates.
- 1.1.2 The instructions in this manual apply only to the installation of ALUFLEX Alufence within the specified scope provided in the relevant content. It is advisable to check for any special requirements or restrictions in building regulations before installing the fence.
- 1.1.3 All ALUFLEX products must be installed in compliance with building regulations.
- 1.1.4 All risks and responsibilities related to the assembly and use of this product lie with the consumer.

### 1.2 Safety and handling guidelines.

- 1.2.1 When installing ALUFLEX products, wear proper safety equipment.
- 1.2.2 ALUFLEX recommends safety gear like gloves, masks, long sleeves, pants, and safety glasses when handling and installing Alufence.
- 1.2.3 To ensure proper installation of Alufence, at least one post gap must be installed at the bottom of each aluminum post slat. Failure to install a post gap at the bottom may result in inadequate airflow, potentially leading to fence damage from strong winds.
- 1.2.4 Excessive heat on Alufence surfaces can potentially damage the product. Caution is needed to prevent extreme surface temperature increases beyond the normal exposure levels.

### 1.3 Warranty for quality.

- 1.3.1 Product quality is guaranteed during the warranty period, and any defects or damage due to installer negligence are the installer's responsibility.

# INSTALLATION MANUAL 2

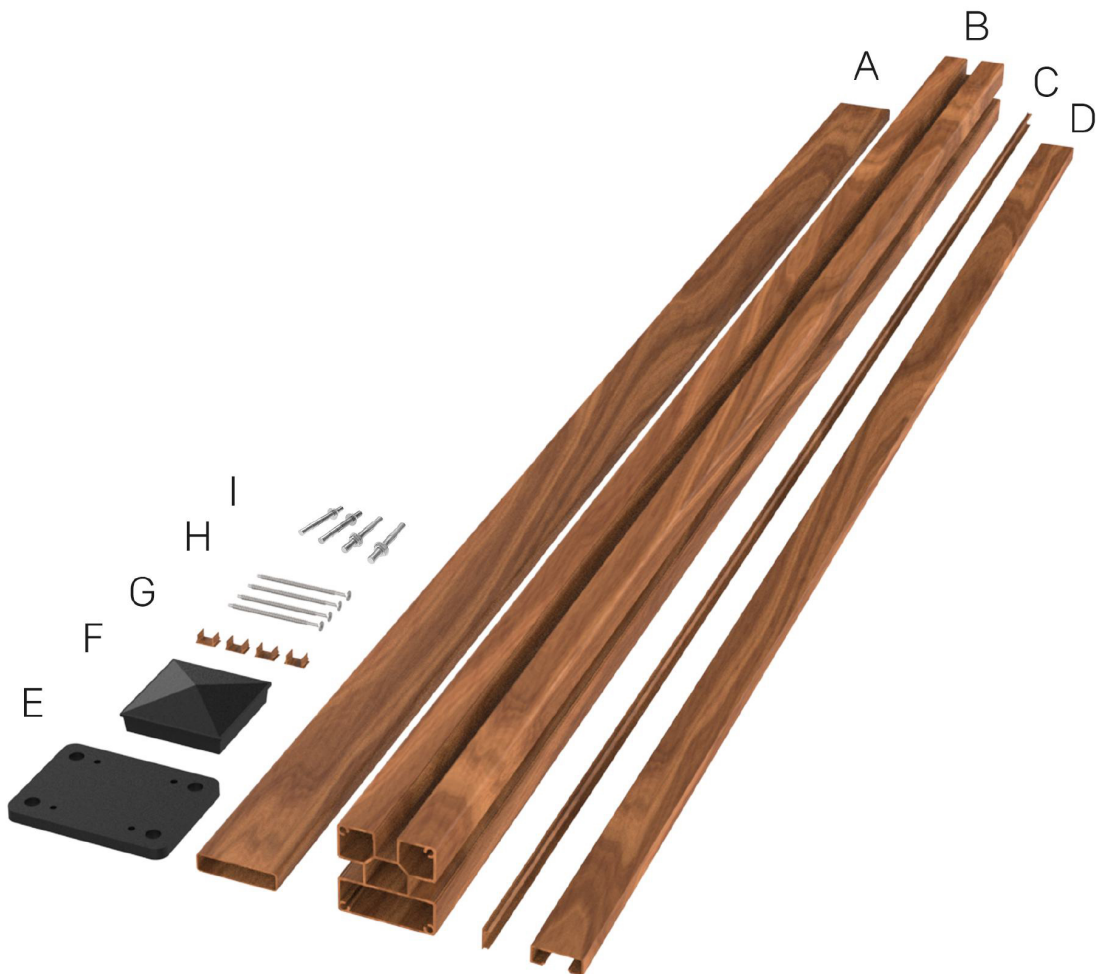
Materials and accessories for ALUFLEX Alufence.

---

## 1. General info about Alufence materials.

2.1 ALUFLEX Alufence is a product manufactured through a process of continuous extrusion and special surface coating on aluminum.

2.2 Alufence appearance.





# INSTALLATION MANUAL 2

Materials and accessories for ALUFLEX Alufence.

## 2. Details about materials and accessories.

### 2.3 Installation materials - Parts (Unit: mm)



| NO. | IMAGE   | COMPONENT       | DETAILS       | ETC                                    |
|-----|---|-----------------|---------------|--|
| A   |   | Fence Slats     | 65mm x 16mm   | 65mm<br>150mm                          |
| B   |  | Post            | 76mm x 76mm   | -                                      |
| C   |  | Post Cap        | 18.5mm x 6mm  | -                                      |
| D   |  | Support profile | 40mm x 15mm   | using the<br>maximum width.            |
| E   |  | Post base       | 137mm x 100mm | -                                      |
| F   |  | Post cover      | -             | -                                      |
| G   |  | Slat gap        | 18.5mm x 9mm  | Not in use<br>when using<br>full cover |
| H   |  | Base screw      | M8 x 80mm     | 4pcs                                   |
| I   |  | Post anchor     | M10 x L100mm  | 4pcs                                   |

# INSTALLATION MANUAL 3

## ALUFLEX Alufence Box Contents Guide.

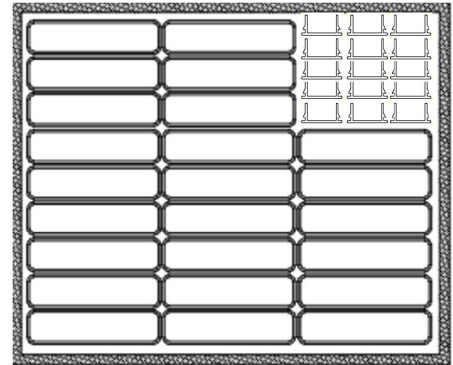
### 1. Packaging and components of Alufence. (all items sold separately).

#### ALUFENCE SLAT BOX (150x150)

The 150x150 box of Alufence contains enough slats for the installation of one fence.

| Components | Quantity | Details      |
|------------|----------|--------------|
| fence slat | 24       | 65mm x 16mm  |
| slat gap   | 50       | 18.5mm x 9mm |

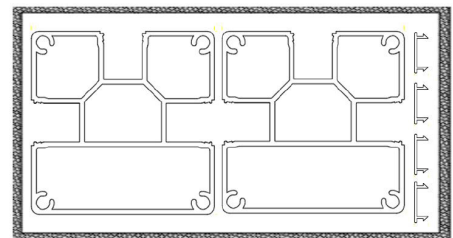
Note: When using full cover from the top slat to the bottom slat in each slat box, the maximum achievable height for Alufence is 1,600mm. Depending on the site, height adjustments up to the maximum can be made using slat gaps.



#### ALUFENCE 2WAY POST BOX (150x150)

Configuration for bidirectional installation with pillars and post cap.

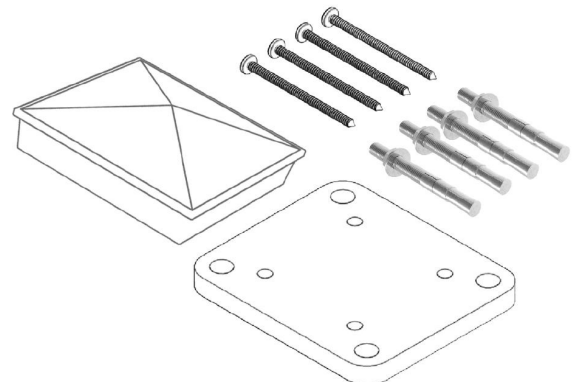
| Components | Quantity | Details      |
|------------|----------|--------------|
| Post       | 2        | 76mm x 76mm  |
| Post Cap   | 4        | 18.5mm x 6mm |



#### ALUFENCE POST BASE KIT

Components required for two posts per post base.

| Components      | Quantity | Details       |
|-----------------|----------|---------------|
| Post base       | 2        | 137mm x 100mm |
| Post cover      | 2        | -             |
| Post Base screw | 8        | -             |
| Base anchor     | 8        | -             |

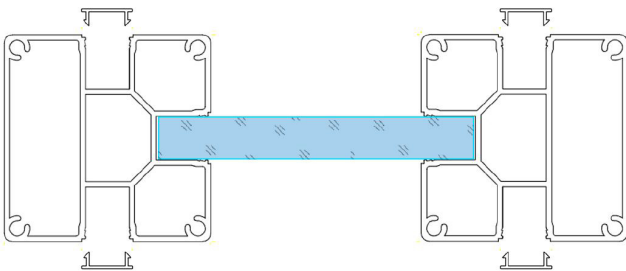


# INSTALLATION MANUAL 4

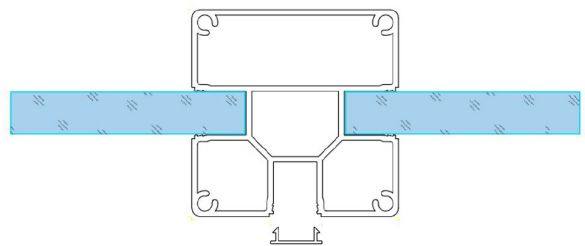
ALUFENCE frame layout and post cap positions.

---

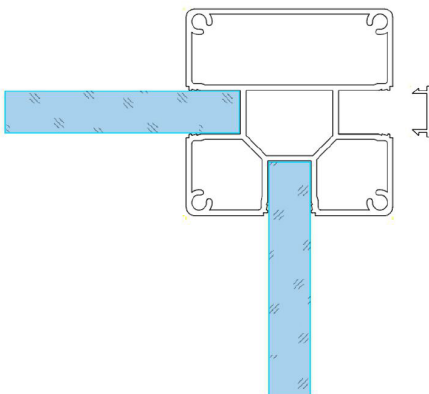
**1. Unidirectional.**



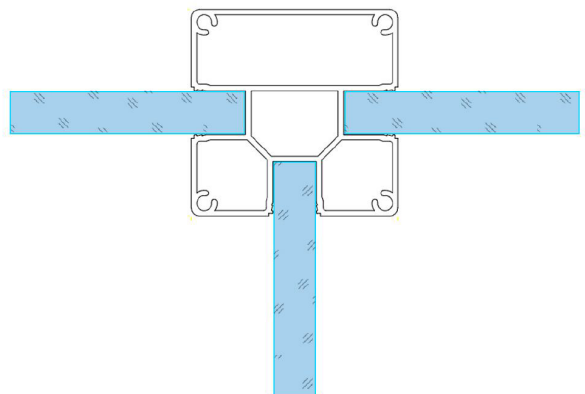
**2. Interconnected.**



**3. Corner type.**



**4. T Interconnected.**

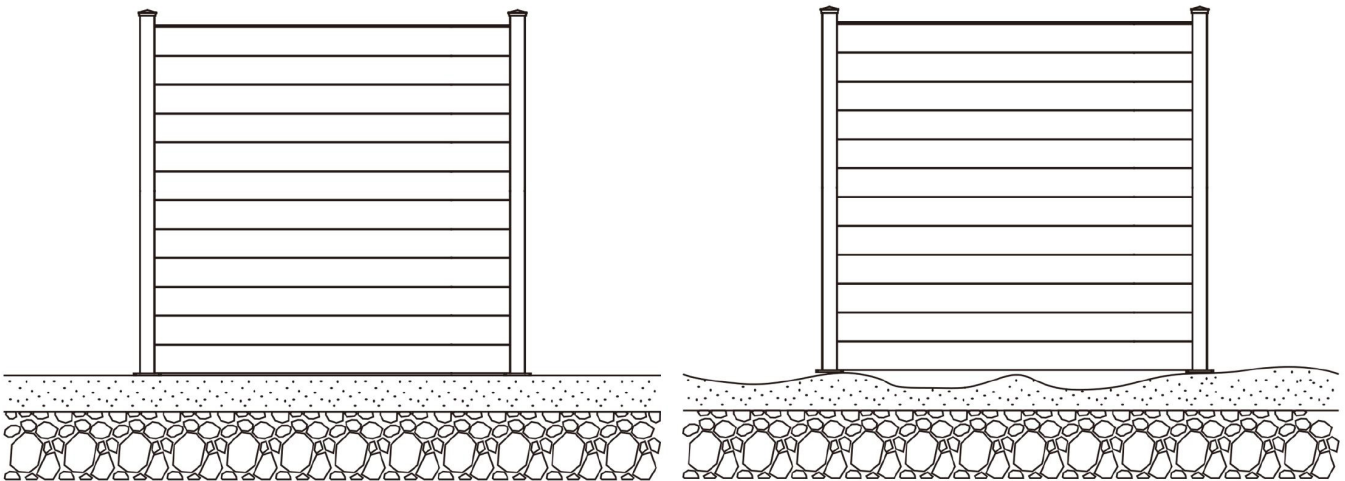


# INSTALLATION MANUAL 5

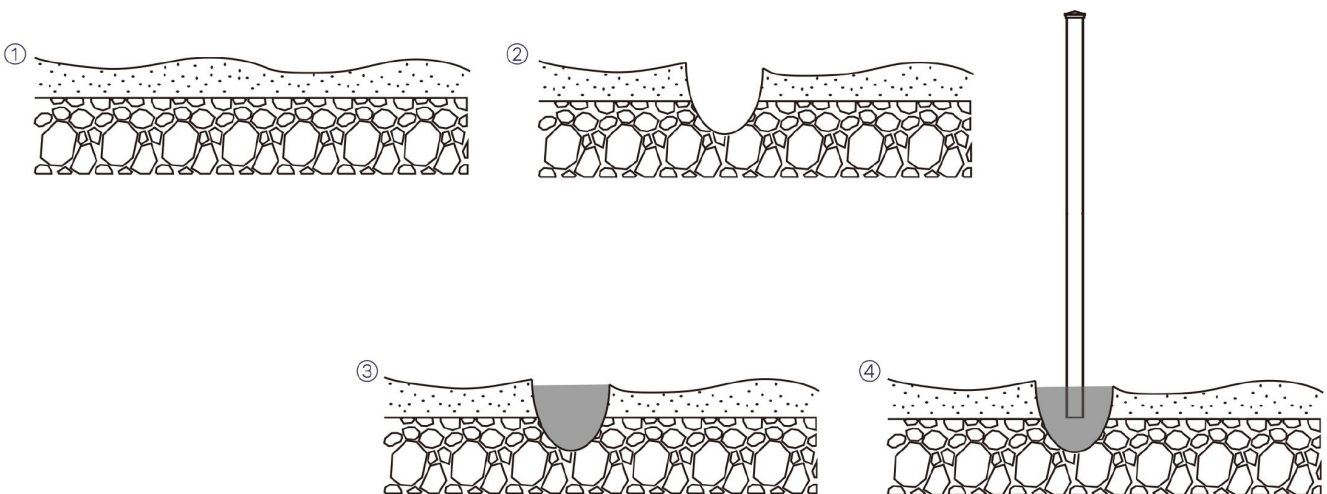
On-site inspection for ALUFENCE

## 1. On-site inspection for ALUFENCE

5.1 ALUFENCE products are suitable for installation on a flat and solid surface with the use of post bases to ensure a sturdy foundation. In cases where the surface is uneven, it is not recommended to use post bases, and we recommend following the installation method outlined in section 5.2



5.2 To install Alufence, mark the locations for the posts on the ground, dig holes, pour cement, and securely anchor the posts. Then, refer to the installation method for further assembly.



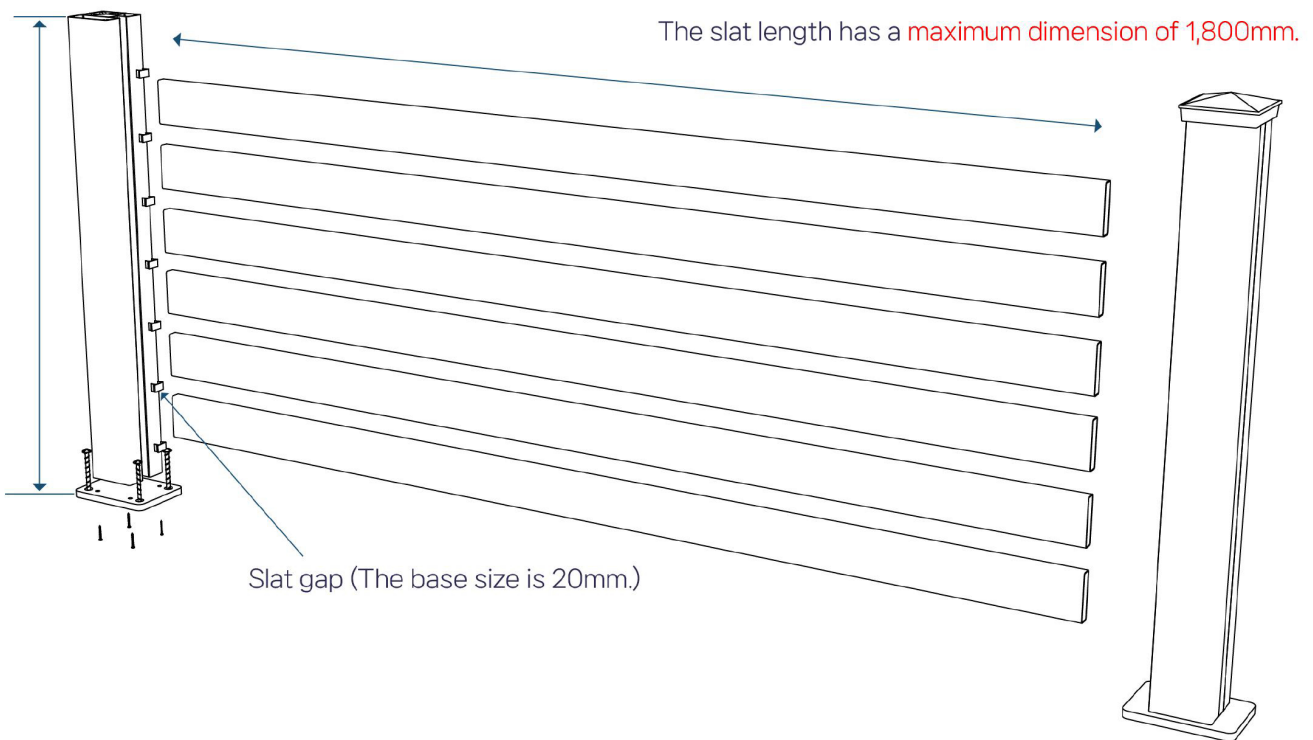
# INSTALLATION MANUAL 6

## ALUFENCE INSTALLATION GUIDE

### 1. Method for calculating Alufence installation and cutting dimensions.



Installation height reference for **post length - 30mm** (excluding post base and post cover height).



### Key points

- When using the full cover method for Alufence, please install it excluding the slat gaps.
- The Slat gap is 20mm, and you can adjust it to 40mm or 60mm for installation if desired.
- Slat gaps should be evenly spaced according to the final post height, but some gaps can be excluded for interior aesthetics.
- If the slat length exceeds the maximum dimension or reinforcement is needed due to site conditions, support profile installation may be necessary.





## INSTALLATION MANUAL 6

### ALUFENCE INSTALLATION GUIDE

- 2. The maximum distance between posts is 1,800mm, measured from one end of the post as indicated in Figure 1 to the opposite end.

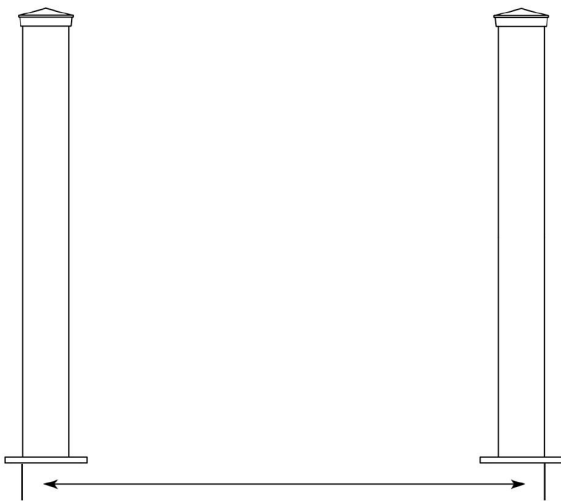


Figure 1

- 3. Cut the post to the desired installation height, as shown in Figure 2, reducing it by -30mm (post base and post cover height).

Cut the slat to the desired width between the ends of the pillars, as shown in Figure 3, reducing it by -114mm.

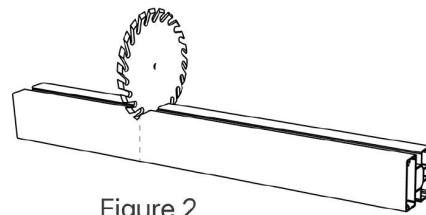
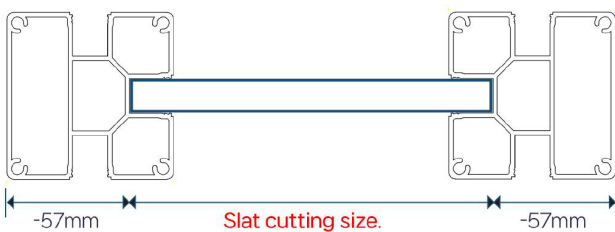


Figure 2

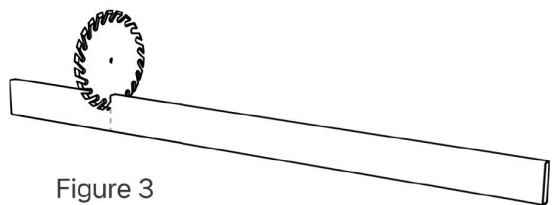


Figure 3

- 4. The vertical height of each slat is 65mm, and the total number of slats is determined by dividing the post height by 65.

When introducing slat gaps to create spacing, the total number of slats becomes post height divided by slat height 65mm plus gap height 20mm.

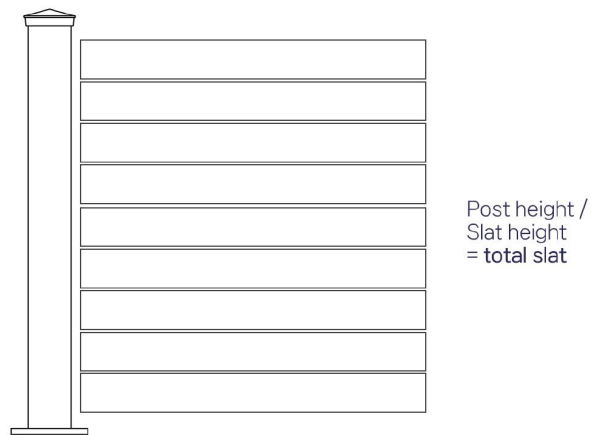


Figure 4



# INSTALLATION MANUAL 6

## ALUFENCE INSTALLATION GUIDE

- 5.** Once you've selected the post installation spot, position the post base on the concrete surface. Use a pencil or marker to mark the drill hole locations, following the pattern in Figure 5, and proceed to drill the holes.

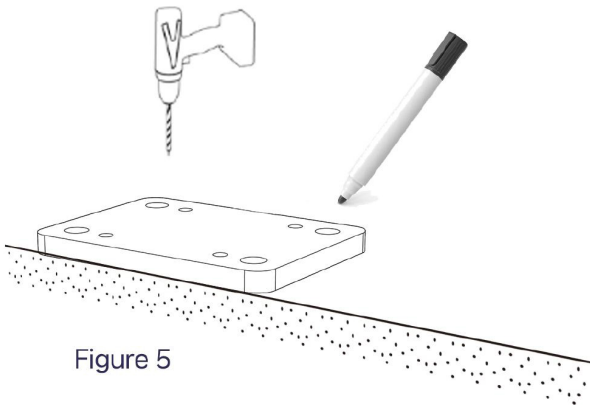


Figure 5

- 6.** Combine the post and post base using the base fixing screws as illustrated in Figure 6.

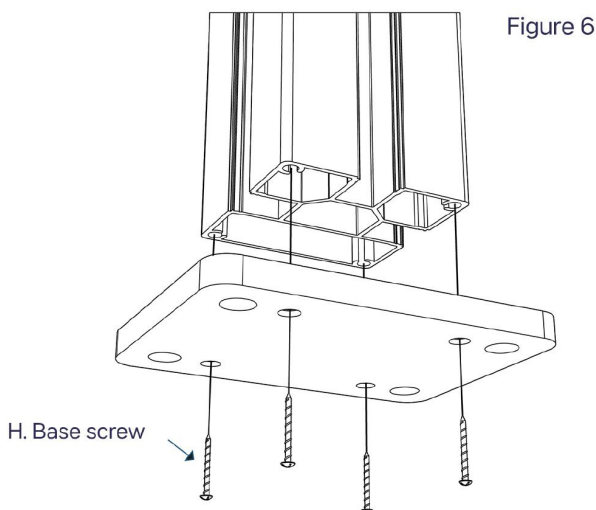


Figure 6

- 7.** Position the post base in place, as shown in Figure 7, and secure it using post anchors.

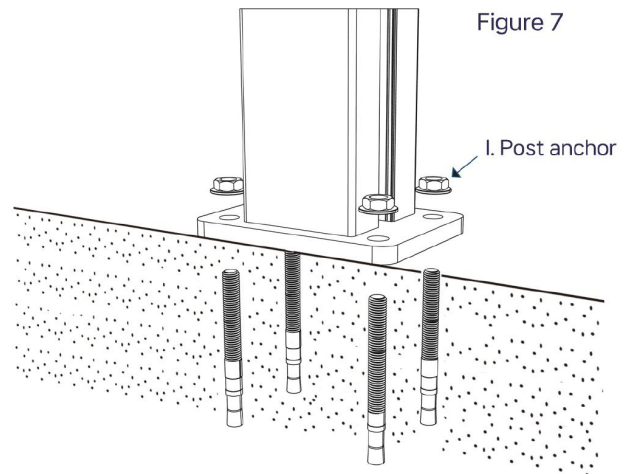


Figure 7

### Installation precautions

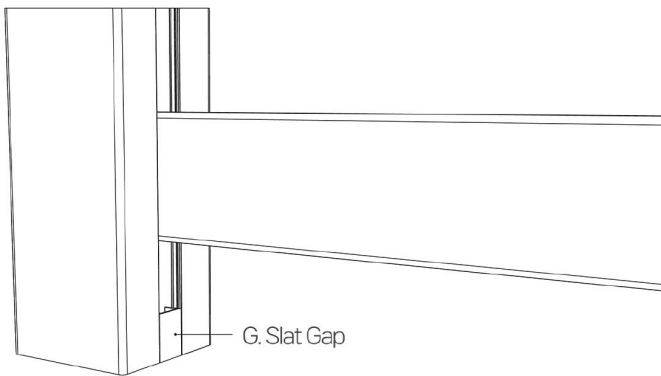
1. To install the aluminum fence correctly, we recommend verifying the appropriate on-site installation method.
2. For safety during installation, wearing appropriate safety equipment is recommended.
3. The minimum thickness of the floor material for securing the post base should be at least 110mm or more.
4. If there is a marble or stone floor, use a masonry drill bit to create M8 holes.



## INSTALLATION MANUAL 6

### ALUFENCE INSTALLATION GUIDE

- 8.** When installing slats between posts, if you don't install one slat gap, there may not be sufficient airflow, which could potentially lead to fence damage due to strong winds.



- 9.** Place the aluminum slat on top of the slat gap as shown in Figure 8.

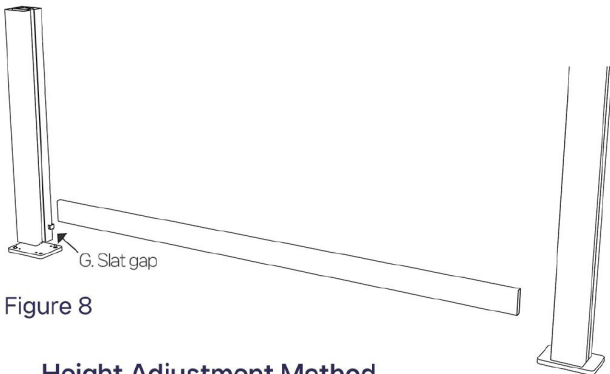
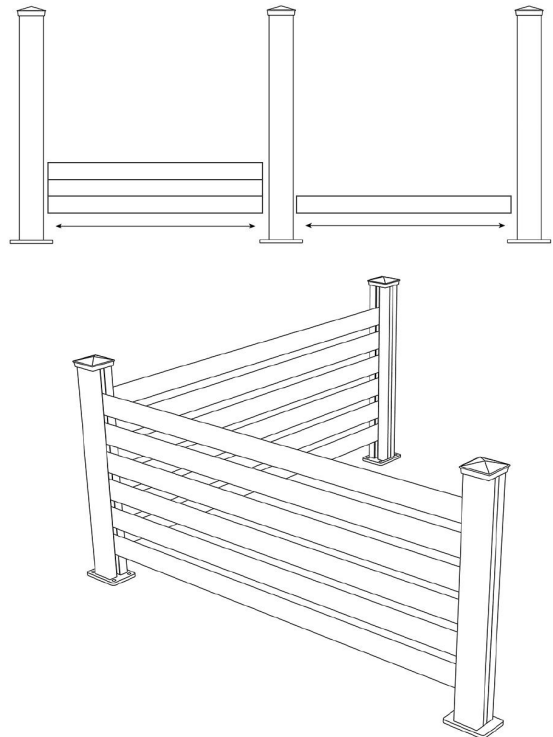


Figure 8

#### Height Adjustment Method

1. The height from the ground can be adjusted based on the number of slat gaps inserted before inserting the first aluminum slat."
2. If you're installing with full panels, you can exclude the slat gaps thereafter.

- 10.** For assembly in a connected or corner configuration, make sure that the space between posts is in a consistent vertical alignment before inserting the slats.



- 11.** For assembly in a connected or corner configuration, make sure that the space between posts is in a consistent vertical alignment before inserting the panels.

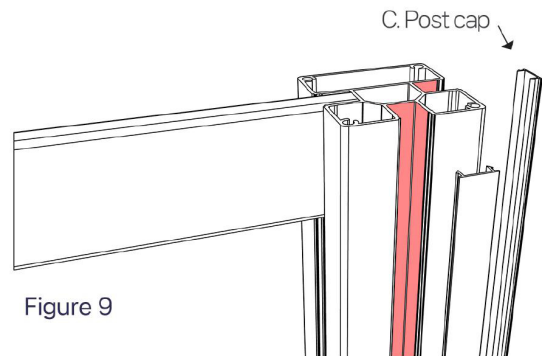


Figure 9

# INSTALLATION MANUAL 6

## ALUFENCE INSTALLATION GUIDE

- 12.** After inserting the last slat into the post, use the remaining space for finishing with slat gaps.

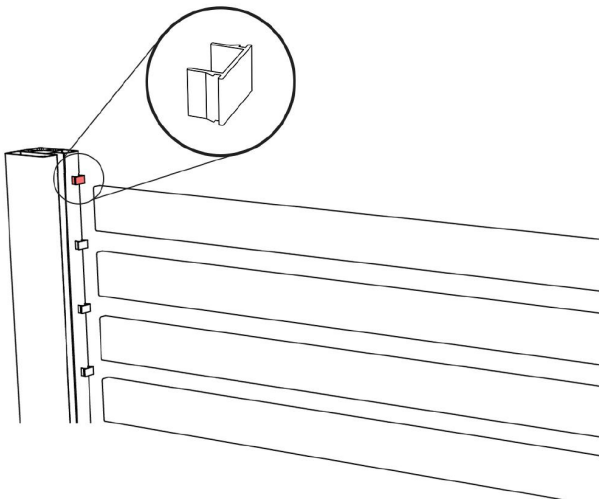
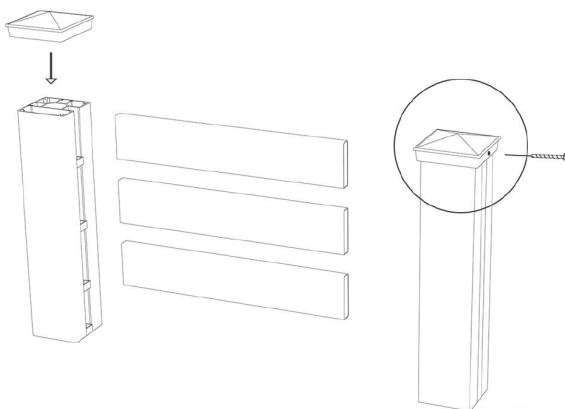


Figure 10

- 13.** Insert the post cover onto the post and secure it with a screw.



- 14.** Installation complete.  
The appearance of the installed Alufence is as shown in Figure 11.

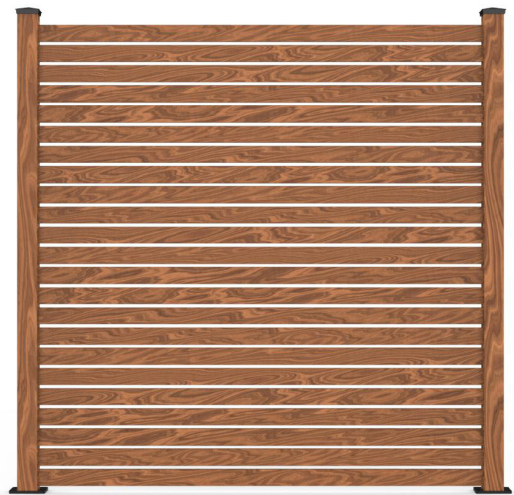


Figure 11





## INSTALLATION MANUAL 7

### Frequently Asked Questions about ALUFENCE

---

**Q** Can the frame and slats be cut to the desired width and height for use?

A. Customizing the width and height of ALUFENCE is easy as it's made of aluminum, and you can cut it to your desired dimensions with an aluminum saw.

For width, subtract 114mm from the distance between the posts to determine the slat length. Adjust the post frame to achieve the desired height, as explained in the Alufence installation guidelines.

**Q** Is ALUFENCE durable for continuous use?

A. Yes, it is made of aluminum and coated, making it resistant to contamination. It is also suitable for use in coastal areas without any issues.

**Q** Is it possible to manufacture Alufence with a gap between slats other than 20mm?

A. Yes, it's possible. You can add additional 20mm post gaps to the standard 20mm gaps to adjust the spacing to 40mm, 60mm, and other desired intervals. You can also cut post covers to fit the slat spacing you prefer.

**Q** What are the advantages of aluminum fencing compared to traditional wooden fencing?

- > Aluminum does not break, rot, or warp, and it is coated to maintain its color for an extended period, eliminating the need for repainting.
- > Aluminum is non-combustible, which helps with fire prevention.
- > Aluminum is corrosion-resistant and requires minimal maintenance.
- > Aluminum is lightweight and easy to work with.
- > Aluminum is insect-resistant due to its insect-proof treatment.
- > Alufence is easier and quicker to assemble compared to wooden fences.
- > After installing the fence, the maintenance costs are more cost-effective than wood.

**Q** What's the maintenance for ALUFENCE?

A. Maintenance is very straightforward. Clean any accumulated debris on the fence with water, and, if necessary, use a mild detergent for cleaning.

**Q** If I want to install the fence bidirectionally, do I need to purchase separate posts?

A. No, Alufence posts have three slat slots, allowing installation in both bidirectional and unidirectional configurations, as well as 3-way configurations. ALUFENCE alone allows for a variety of assembly options.

**Q** Do I need to purchase the post base separately?

A. It can be chosen depending on the site. If you are fixing the posts by pouring concrete into the soil, you do not need a base plate. Post base are only necessary when you intend to install them on existing concrete floors or in places where a sturdy foundation is possible.